

# Product datasheet

Specifications



## Tower Light - RAG - 24V - LED - Tube mounting with fixing plate

XVGB3H

### Main

Range of product	Harmony XVG
product or component type	Complete pre-wired monolithic tower light
Beacon or indicator bank unit type	3 illuminated units
Material	PC (UL94 V-2): globe ABS (UL94HB): tube body Aluminium: tube
Mounting diameter	60 mm
Component name	XVG
device mounting	Tube mounting with fixing plate
Light source	LED steady red LED steady green LED steady amber
Light block color	Red/orange/green
Indicator bank base type	Base without buzzer

### Complementary

rated supply voltage	24 V AC/DC
cable cross section	0.33 mm <sup>2</sup>
Discrete output type	PNP and NPN
[Uimp] rated impulse withstand voltage	0.5 kV
Current consumption	109 mA
power consumption in W	3.1 W
Fundamental frequency	2.64 kHz
net weight	0.36 kg

### Environment

Product certifications	CE EAC
Ambient air temperature for storage	-35...70 °C
Ambient air temperature for operation	-10...50 °C
IP degree of protection	IP53

### Packing Units

Unit Type of Package 1	PCE
------------------------	-----

<b>Number of Units in Package 1</b>	1
<b>Package 1 Height</b>	8.3 cm
<b>Package 1 Width</b>	14.1 cm
<b>Package 1 Length</b>	56.5 cm
<b>Package 1 Weight</b>	561.0 g
<b>Unit Type of Package 2</b>	S04
<b>Number of Units in Package 2</b>	5
<b>Package 2 Height</b>	30 cm
<b>Package 2 Width</b>	40 cm
<b>Package 2 Length</b>	60 cm
<b>Package 2 Weight</b>	3.715 kg
<b>Unit Type of Package 3</b>	P06
<b>Number of Units in Package 3</b>	30
<b>Package 3 Height</b>	72 cm
<b>Package 3 Width</b>	60 cm
<b>Package 3 Length</b>	80 cm
<b>Package 3 Weight</b>	29 kg

## Contractual warranty

<b>Warranty</b>	18 months
-----------------	-----------

## Sustainability

**Green Premium™ label** is Schneider Electric's commitment to delivering products with best-in-class environmental performance. Green Premium promises compliance with the latest regulations, transparency on environmental impacts, as well as circular and low-CO<sub>2</sub> products.

**Guide to assessing product sustainability** is a white paper that clarifies global eco-label standards and how to interpret environmental declarations.

[Learn more about Green Premium >](#)

[Guide to assess a product's sustainability >](#)



Transparency RoHS/REACH

## Well-being performance

Mercury Free

Rohs Exemption Information Yes

## Certifications & Standards

Reach Regulation [REACH Declaration](#)

Eu Rohs Directive Pro-active compliance (Product out of EU RoHS legal scope)

China Rohs Regulation [China RoHS declaration](#)

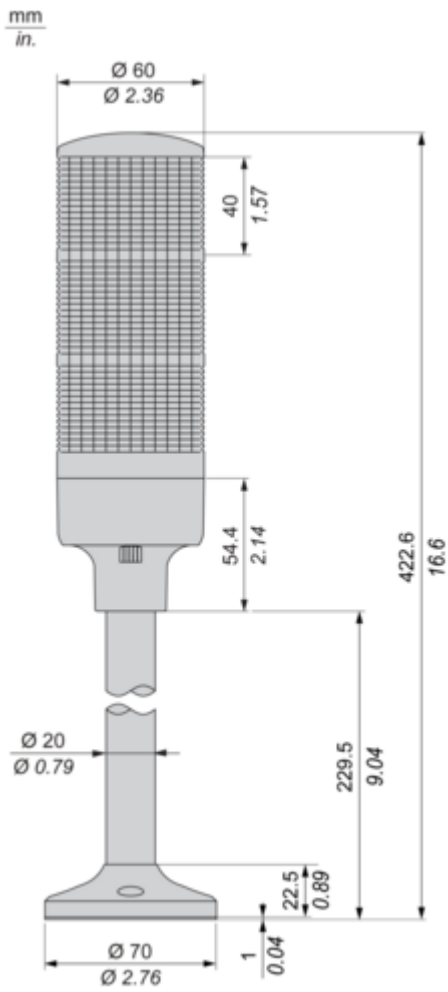
Environmental Disclosure [Product Environmental Profile](#)

Circularity Profile [End of Life Information](#)

Dimensions Drawings

Dimensions

---

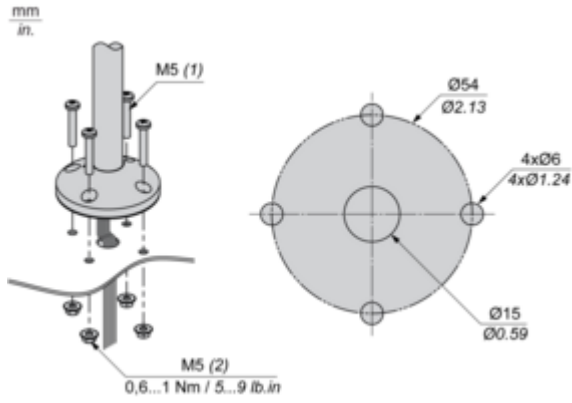


Mounting and Clearance

Mounting

---

Ø54 mm/2.13 in., Standard

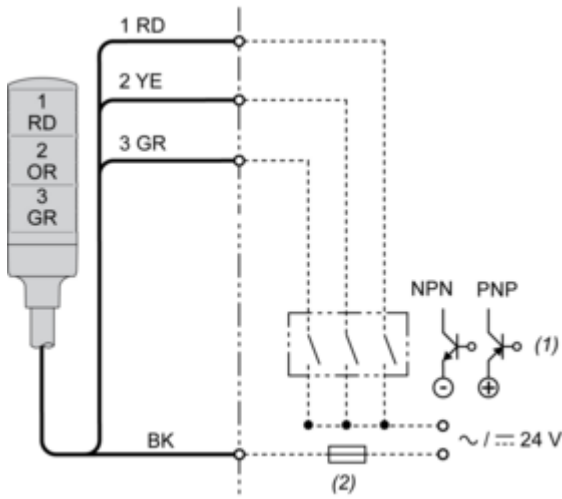


- (1) Thickness + 10 mm/0.39 in.
- (2) Hexagon Nut with flange

Connections and Schema

Wiring

---



(1) "ON" for lighting and/or applying continuous sound.

(2) Fuse (rated current: 0.5 A)

RD : Red

YE : Yellow

GR : Green

OR : Orange

BK : Black